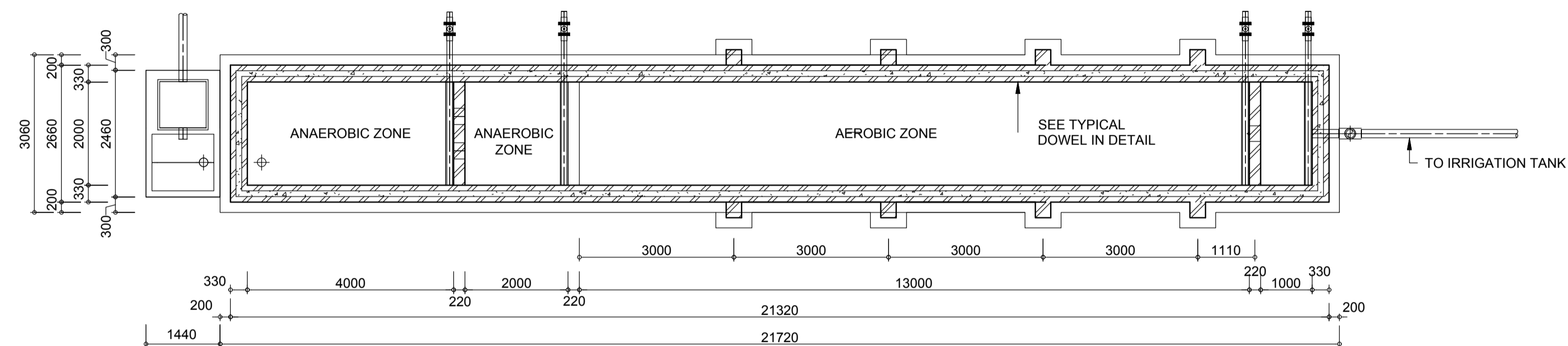
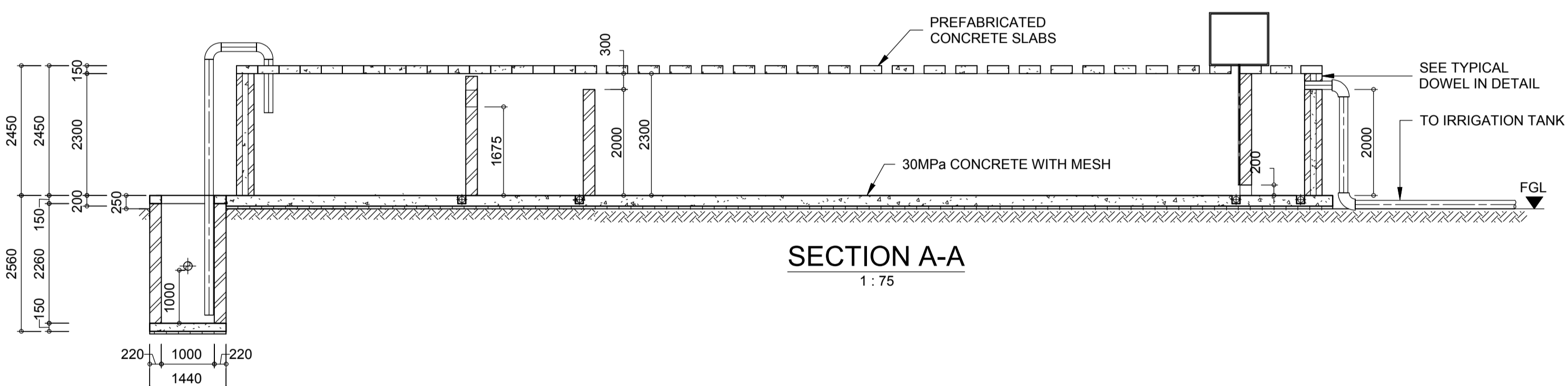


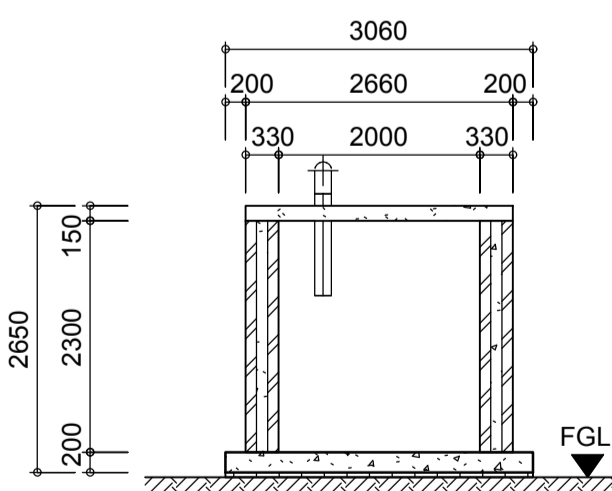
TOP VIEW
1:75



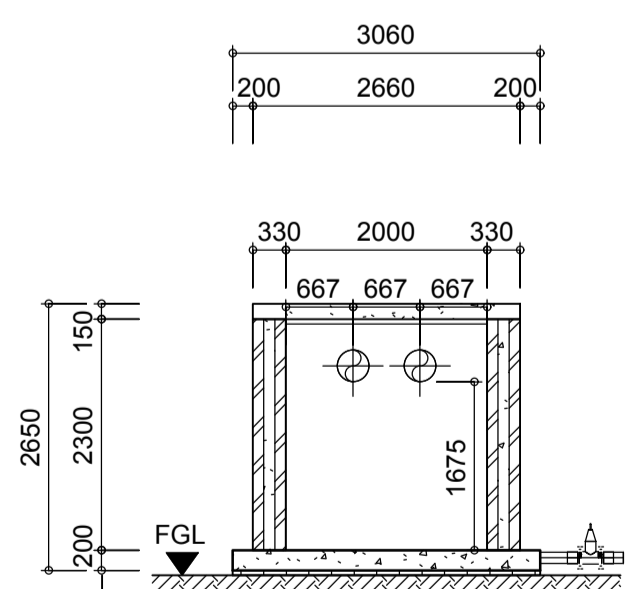
SECTIONAL TOP VIEW
1:75



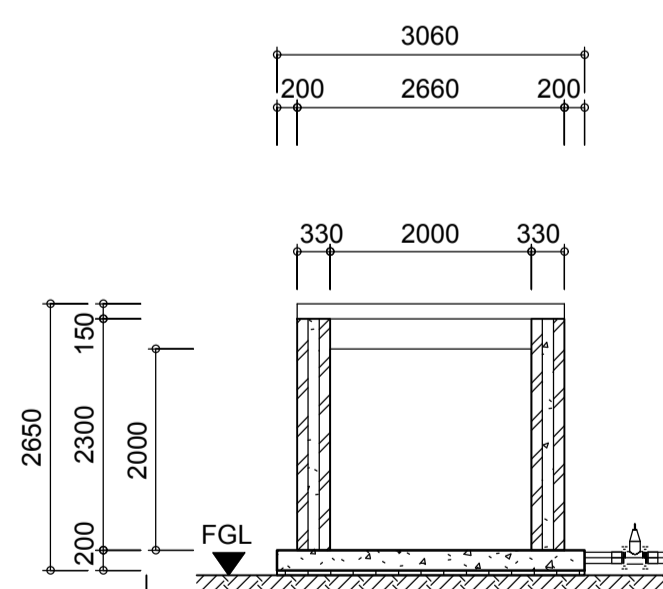
SECTION A-A
1:75



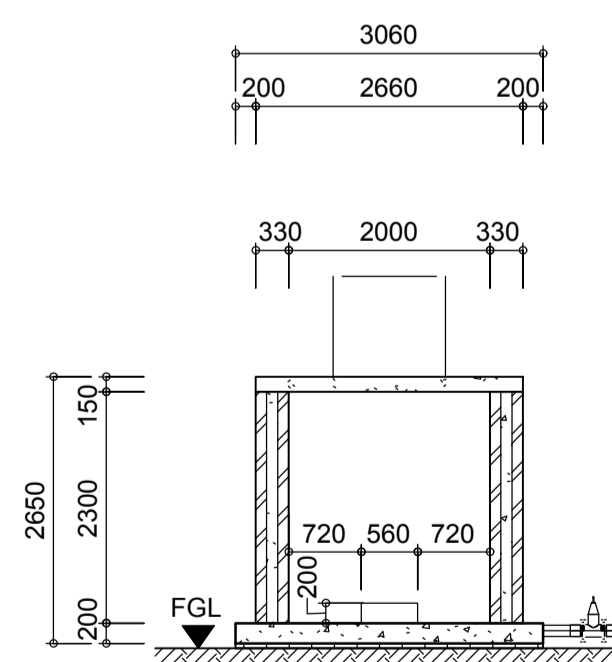
SECTION B-B
1:75



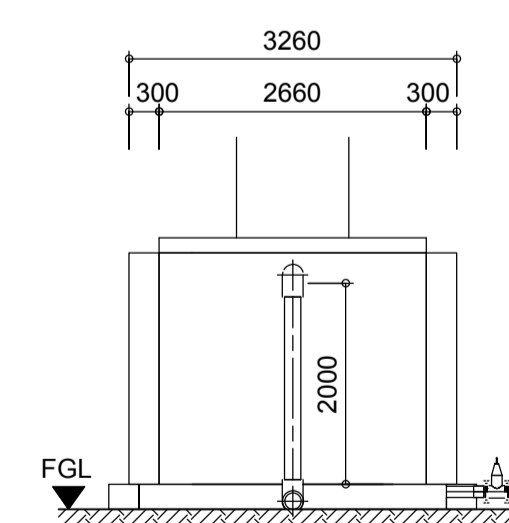
SECTION C-C
1:75



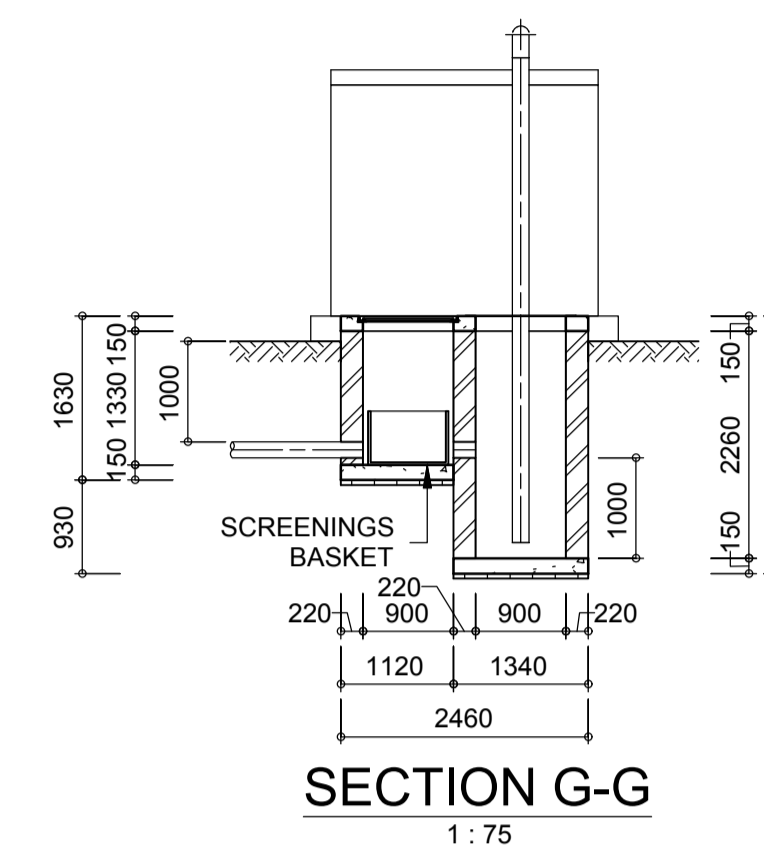
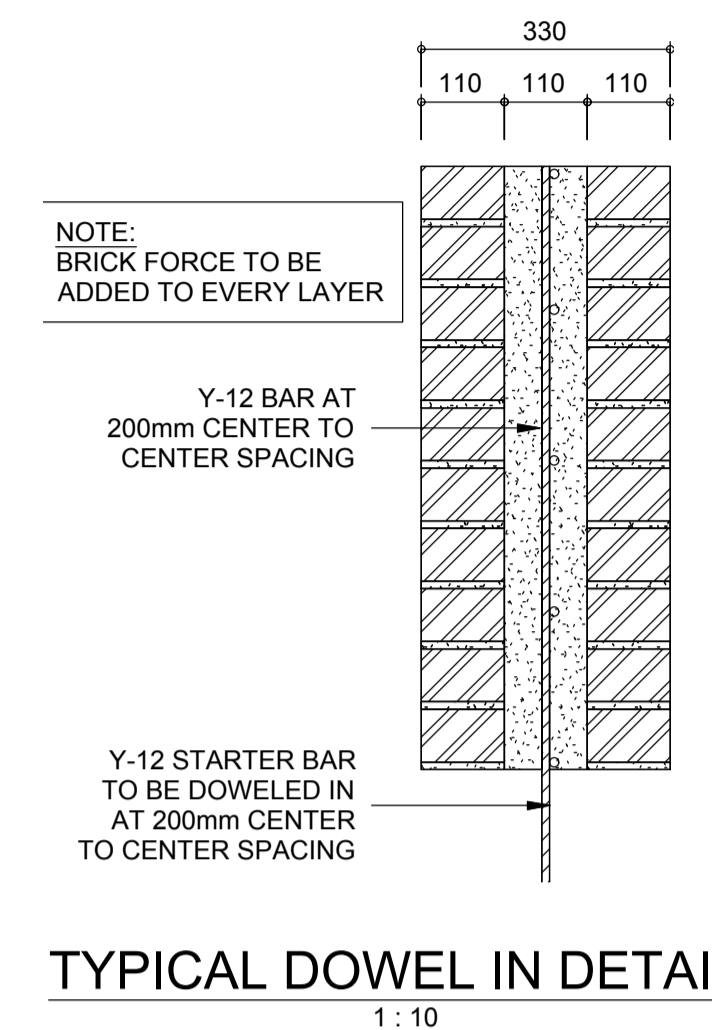
SECTION D-D
1:75



SECTION E-E
1:75



SECTION F-F
1:75



FOR INFORMATION

IX engineers retains the copyright in all intellectual property, including designs and/or documents prepared in terms of this appointment for the project covered by the appointment. The client may use the designs and/or documents for the sole purpose of their intended use on this project only subject to payment for the design having been received. Use for any other purpose, whether or not the design and/or documents have been paid for constitutes an infringement of copyright, and all rights are reserved.

All dimensions must be verified on site before the works commence. Refer any discrepancies to the Engineer.

Copyright reserved

REVISION SCHEDULE

No	DATE	DESCRIPTION	DRW	CHK

CONSULTING ENGINEER

SIGNATURE	PR No	DATE
CLIENT		
SIGNATURE	DATE	
DESIGNED	DRAWN	CHECKED
AB	KL	AB

CONSULTANT

ix engineers
Infrastructure Excellence

31 Allen Drive | Loevenstein | Cape Town | 7530
Tel: +27 (0) 21 912 3000 | Fax: +27 (0) 21 912 322
www.ixengineers.co.za

CLIENT

STELLENBOSCH MUNICIPALITY

PROJECT

LOUW'S BOS MEMORIAL PARK, STELLENBOSCH

DRAWING DESCRIPTION

PLAN AND SECTIONS

SCALE FOR REDUCED PLAN



DATE	SCALE	ORIGINAL SIZE
SEPT 2019	AS SHOWN	A1
DRAWING NUMBER		REV
FIGURE 2-1		