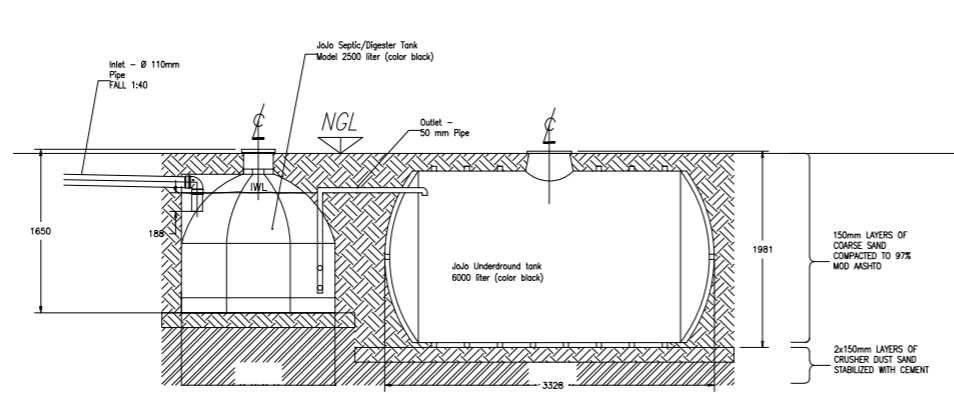
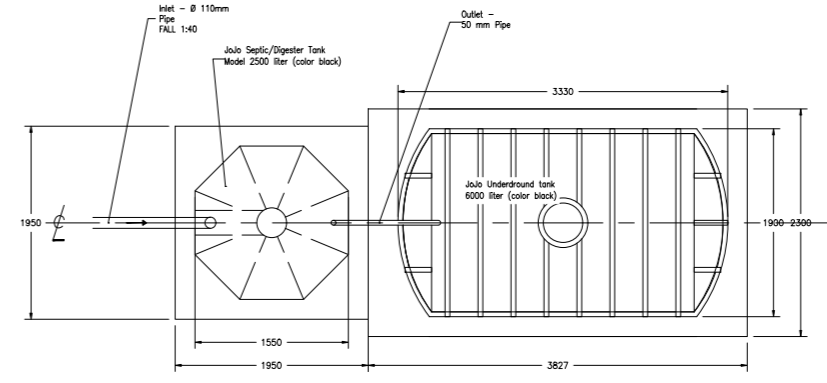


01 02 03 04 05 06 07 08 09 10 11 12 13 14 15 16 17 18 19 20 21 22 23 24 25 26 27 28 29 30 31 32 33 34 35 36 37 38 39 40 41 42 43 44 45 46 47 48 49 50 51 52 53 54 55 56 57 58 59 60 61 62 63 64 65 66 67 68 69 70 71 72 73 74 75 76 77 78 79 80 81 82 83 84 85 86 87 88 89 90 91 92 93 94 95 96

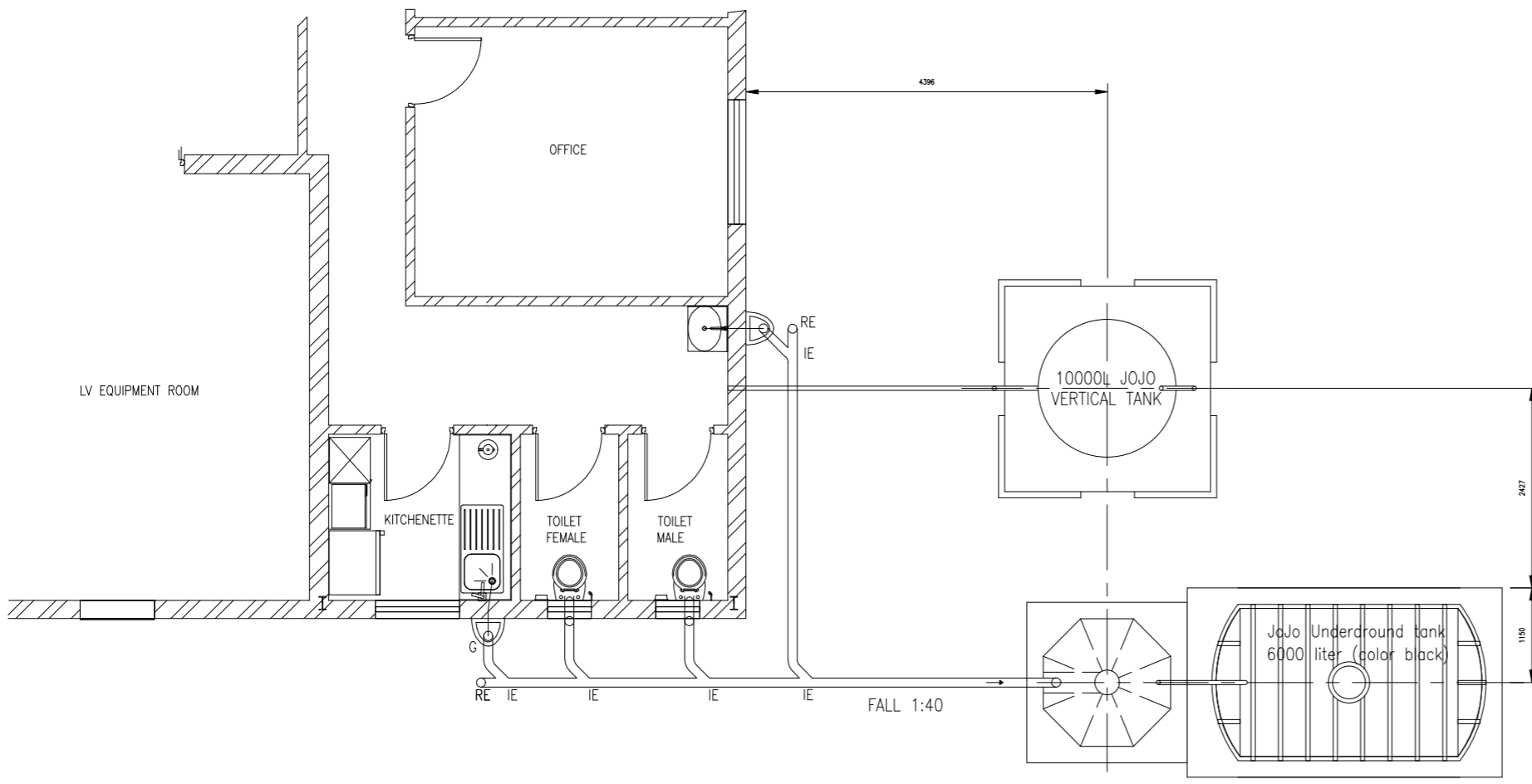
A
B
C
D
E
F
G
H
I
J
K
L
M
N
O
P
Q
R
S
T
U
V
W
X



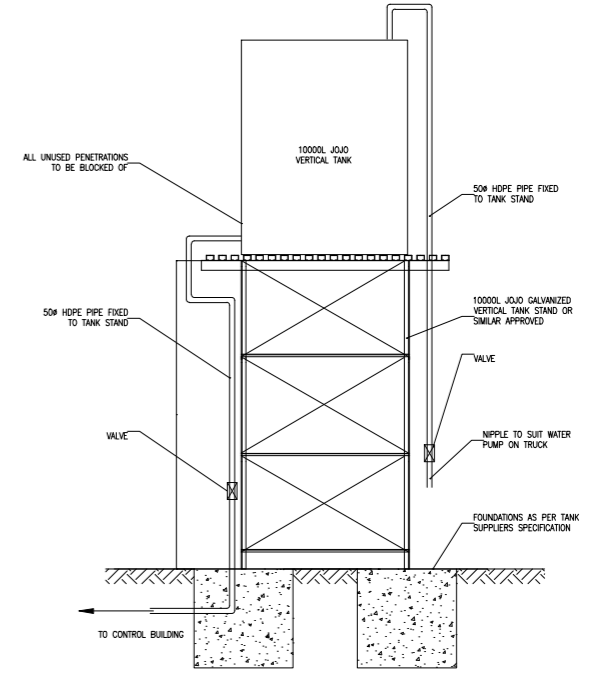
TYPICAL ELEVATION ON SEPTIC TANK
and WATERTIGHT TANK WITH
CLARIFIED WATER
SCALE NTS



TYPICAL PLAN ON CONSERVANCY TANK
SCALE NTS



PLAN ON CONTROL ROOM LAYOUT
SCALE NTS



TYPICAL ELEVATION ON TANK STAND
SCALE NTS

Reference Drawings		Description		Revision	Revision information			Amended by:	Checked by:	Date	Drawn:	PJ	Date:	2016/04/20
				A	ISSUED FOR INFORMATION			PJ	C.J.F	2016/04/20	Engineer:	C.J.F	Date:	2016/04/20
											Approved:	C.J.F	Date:	2016/04/20
											Scale:	1:25	Dwg. Size	A0

KENTZ (PTY) LTD
Engineers & Constructors
Member of the SNC-Lavalin Group
Vanderbijlpark, South Africa
Tel: +27 16 910 9300 Fax: +27 16 923 4540

SNC-LAVALIN

201220156207
OPERATION & MAINTENANCE BUILDING

Vendor Drawing No.	Sheet	Revision
Kentz Drawing No. E0026-K2E-OMB-MRP	02	A